

User manual

LifeStyle HD

(Model: HD730)



HIMS

174, Gajung-ro, Yuseong-gu, Daejeon,
KOREA 305-350 www.himsintl.com

T.+82 42 864 4460 F.+82 42 864 4462

Table of Contents

1. What is the LifeStyle HD?	1
2. Safety Precautions.....	2
3. Package	3
4. Overview of LifeStyle HD	4
1) Front side	4
2) Rear side	5
5. How to install.....	6
5.1 Connecting power cable	6
6. How to use Front Controller.....	7
6.1 Buttons on the front controller	7
1) Front side	7
2) Bottom and left side	8
7. Use the basic functions.....	9
1) Power on/off	9
2) Adjusting the magnification.....	9
3) Changing the color mode	10
4) Adjusting contrast.....	10
5) Using a PC with LifeStyle HD.....	11
6) Using the Markers.....	12
8. Using the advanced feature	15
1) Selecting the various color modes	15
2) Switching PICTURE/TEXT Mode	18
3) Using the Focus Lock.....	18
4) Adjusting the transparency of Window Marker	19
5) Initialization	19
9. Using the Reading table	20

1) Moving the Reading table	20
2) Lock/Unlock the Reading table	20
10. Light on/off.....	21
11. Troubleshooting	22
12. Technical Specifications of the LifeStyle HD	23
13. Warranty	25

1. What is the LifeStyle HD?

Thanks for purchasing LifeStyle HD.

LifeStyle HD is an electronic magnifier for the low vision and the elderly to read books, manuals, grocery information with the large screen monitor.



ZOOM

You can change magnification level for your convenience depending on the size of text.



COLOR

LifeStyle HD provides you with the various color modes. You can select the color that best matches your needs.



CONTRAS T

You can adjust the contrast to see the image clearly irrespective of the material being viewed.

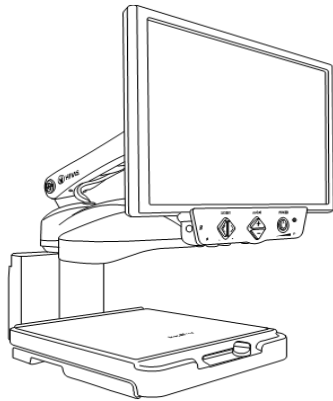
2. Safety Precautions

Please read the following the safety precaution carefully before using the LifeStyle HD to protect both yourself and the LifeStyle HD

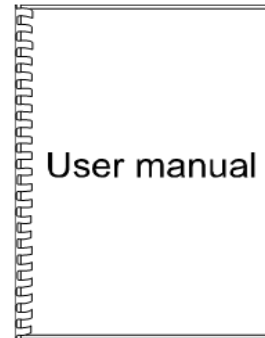
- 1) Do not use damaged power plug or unsuitable outlet to prevent electric shock or fire.
- 2) Do not touch power plug with wet hands to prevent electric shock.
- 3) Do not disassemble, remodeling or repair by unauthorized person. It may damage the unit and void the product warranty.
- 4) Install the unit in flat and stable place. Put on a table enough to bear the weight of your LifeStyle HD.
- 5) Do not pull down monitor too aggressively. It can cause LifeStyle HD to fall down.
- 6) Do not press down the reading table when moving table is pulled toward you. The unit may fall down.
- 7) Do not disconnect or connect any cable when the power is on. It may damage LifeStyle HD.
- 8) Do not use this unit in high humidity and/or high temperature such as over 40 Celsius degrees.

3. Package

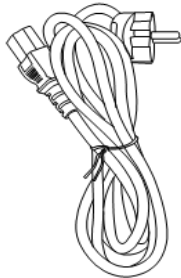
The LifeStyle HD consists of the following items.



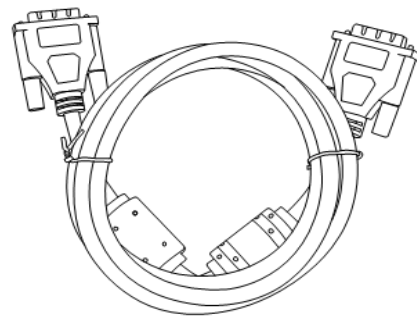
LifeStyle HD



User manual



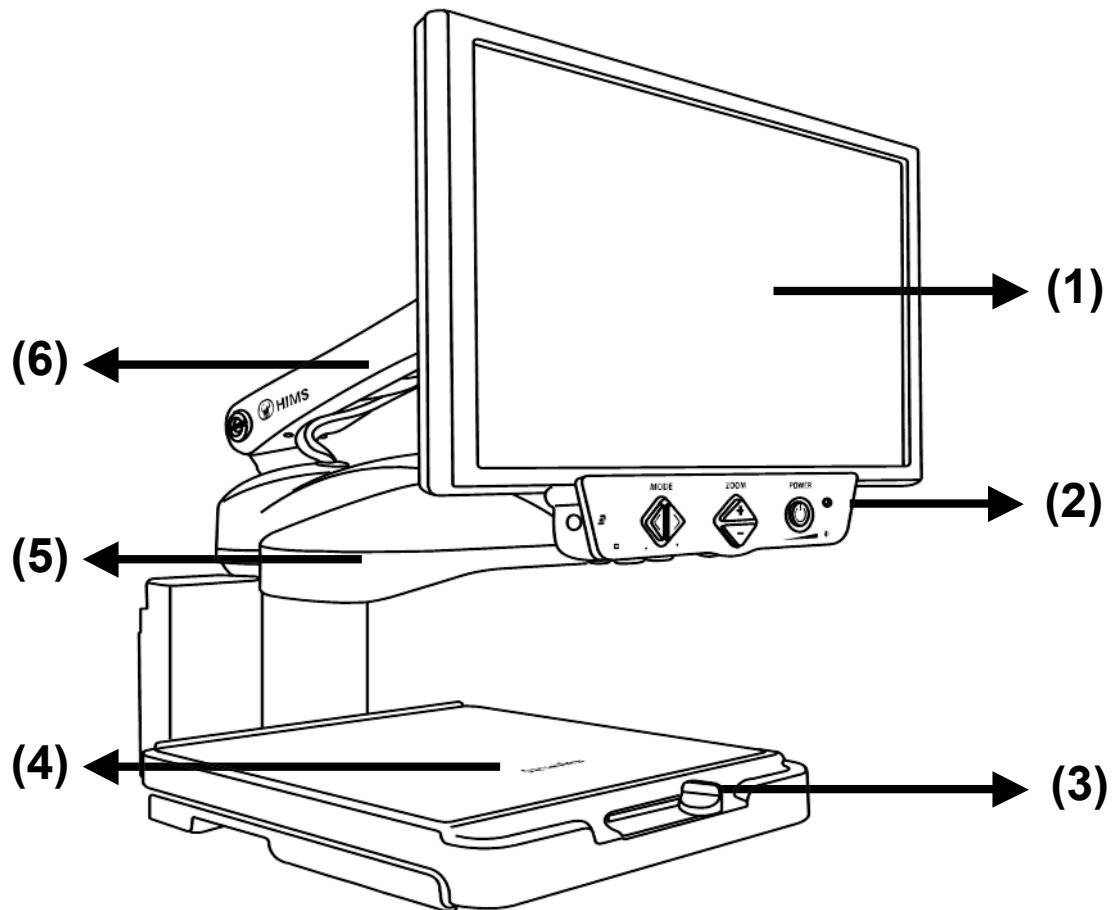
Power cable



DVI-D Cable

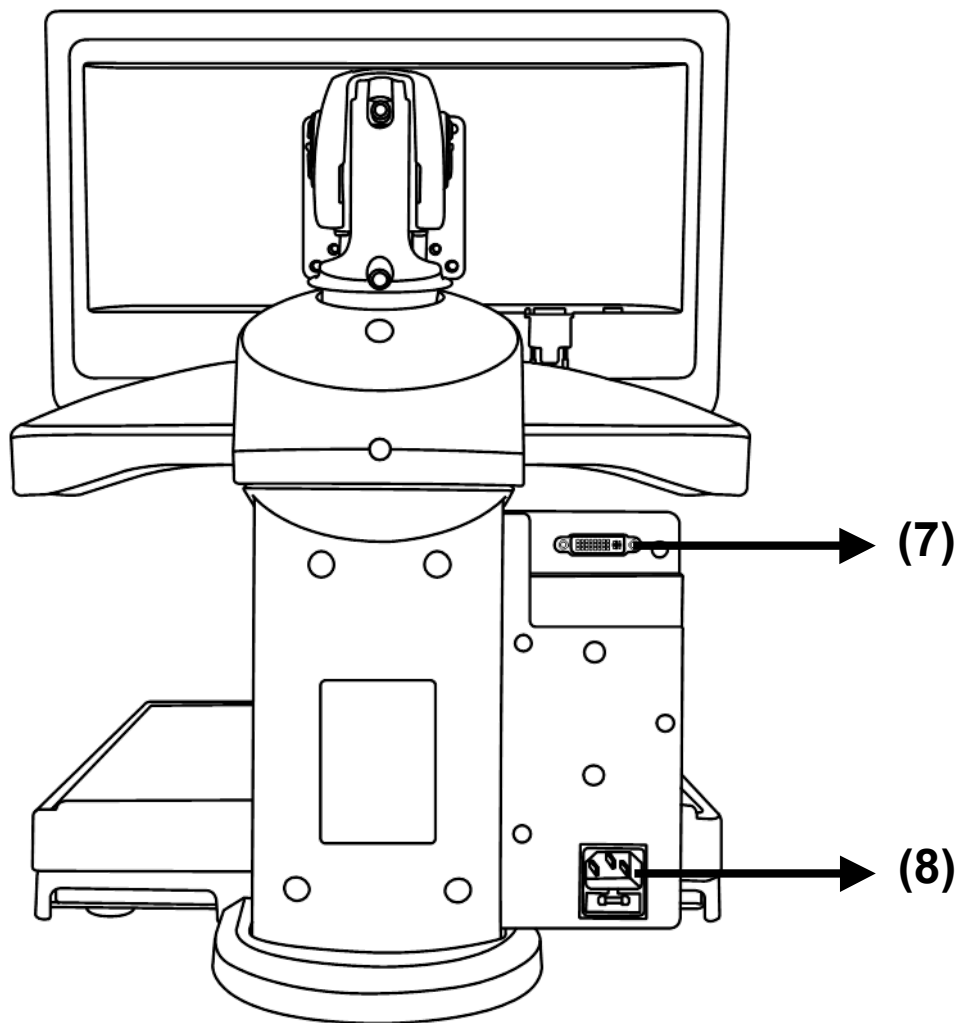
4. Overview of LifeStyle HD

1) Front side



- (1) LCD monitor
- (2) Front controller
- (3) Reading table locker
- (4) Reading table
- (5) Camera module
- (6) Monitor arm

2) Rear side



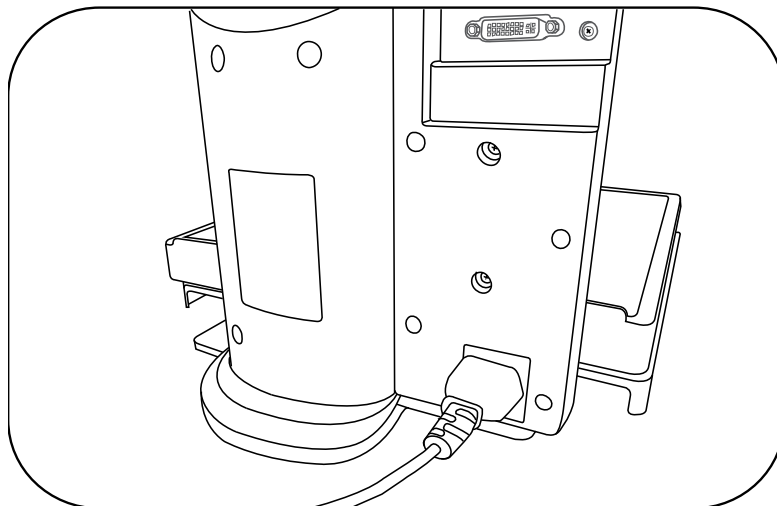
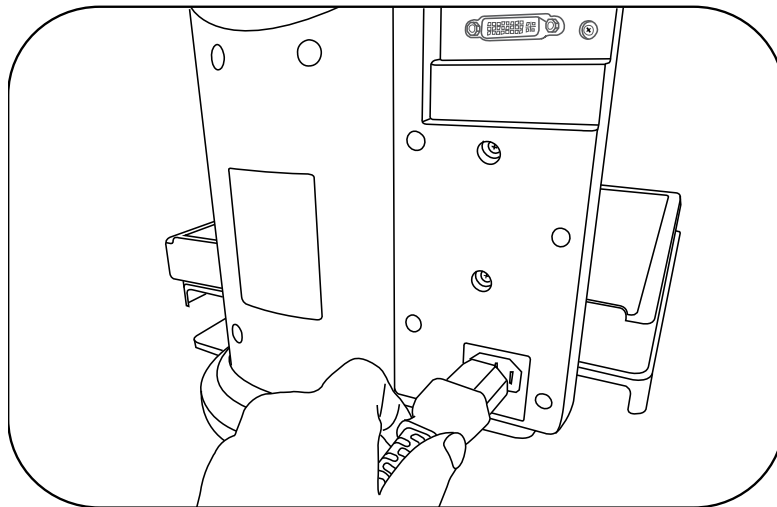
(7) DVI-D port

(8) AC power port

5. How to install

5.1 Connecting power cable

You can make the LifeStyle HD ready to be used simply by connecting the power cable to the AC power port. Connect the other end of the AC power cable to outlet.



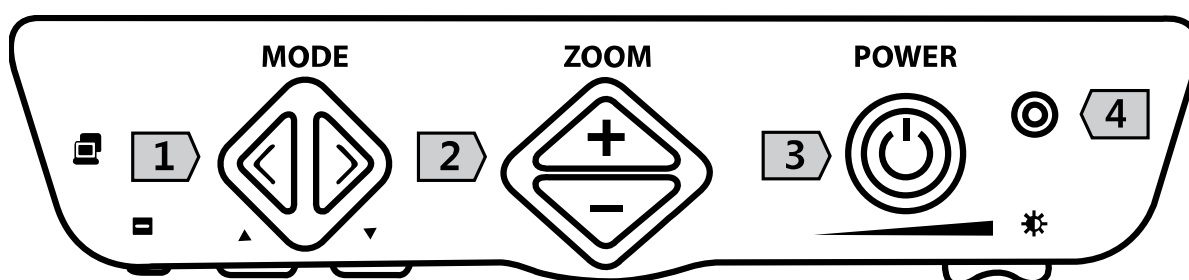
6. How to use Front Controller

6.1 Buttons on the front controller

The buttons are on the front, bottom and left sides of the front controller.

How to use those buttons will be explained on Chapter 7 of this user manual.

1) Front side



1- Color mode buttons

Left: Previous color button

Right: Next color button

2- Zoom in/out buttons

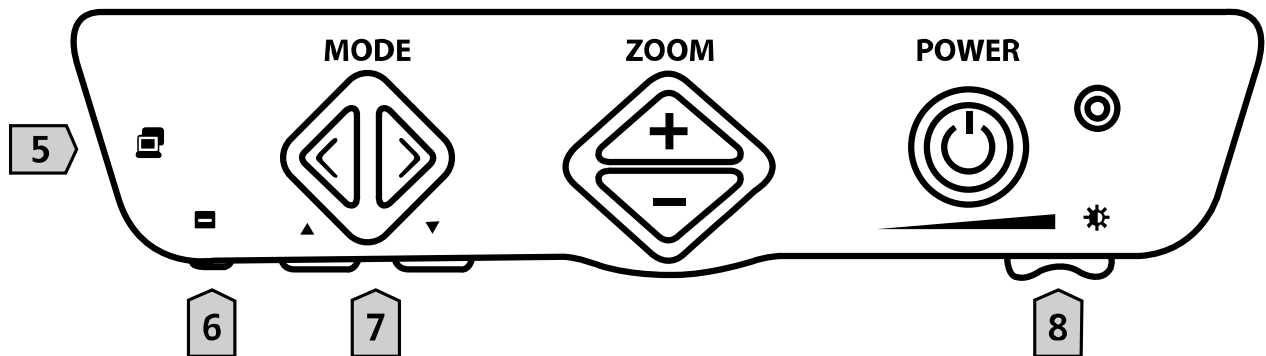
Up (+): Zoom in button

Down (-): Zoom out button

3- Power button

4- Power LED

2) Bottom and left side



5- Switching PC/CCTV button

6- Marker button

7- Moving marker buttons

Left: Left moving marker button

Right: Right moving marker button

8- Contrast adjustment knob

7. Use the basic functions

Before using LifeStyle HD

In order to prevent tiredness of your eyes, you need to rest your eyes every 5, 10 or 15 minutes while using LifeStyle HD. Find out the best using time for you. After 30 minutes reading, please take a break to relieve your eyes.

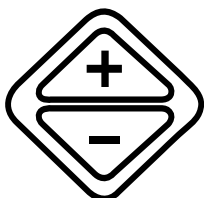
1) Power on/off



To turn on the power of LifeStyle HD, press the **Power button**.

The **Power button** is located on the far right of the front controller. Press the **Power button** one more time to turn the LifeStyle HD off while it's on.

2) Adjusting the magnification



You can adjust the magnification rate on the screen of LifeStyle HD. The LifeStyle HD can magnify from 2.7X to 84X. (19" Monitor)

Adjust the magnification rate

- To increase the magnification rate, press the **Zoom in button**.
- To decrease the magnification rate, press the **Zoom out button**.
- As you press and hold the buttons, the magnification rate is adjusted continuously while you are pressing it.

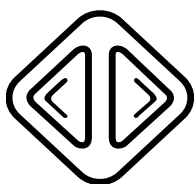
(Note) If you increase the magnification rate continuously by pressing **Zoom in button**, the magnification mode will be changed from optical zoom to digital zoom mode. At the digital zoom mode, magnification rate will be increased discretely, not continuously.

□ **Find location function**

- By using Find location function, you can find the point where you are reading on your document on the reading table.
- Press **Zoom in button** and **Zoom out button** simultaneously, then the magnification rate will be decreased at once and you can find where you are reading on the document.
- By releasing both **Zoom in** and **Zoom out buttons**, the magnification rate will return to the rate that you were using before pressing both buttons.

3) **Changing the color mode**

You can change the color combinations of the text and background on the screen for the best matches of your needs.



The LifeStyle HD provides 7 color modes.

1. Natural Color
2. White text on Black background
3. Black text on White background
4. Gray
5. Yellow text on Black background
6. Yellow text on Blue background
7. Green text on Black background

Press the **Previous color button** to change to the previous color mode.

To change to the next color mode, press the **Next color button**.

4) **Adjusting contrast**



According to the paper types and colors of letters and backgrounds of

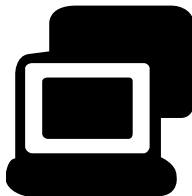
documents or books that you are reading, you need to adjust the contrast so that you can read the documents or books clearly. You can adjust contrast by using the Contrast adjustment knob at the far-right-bottom side of Front controller.

- Move the **Contrast adjustment knob** to the left to decrease the contrast value.
- Move the **Contrast adjustment knob** to the right to increase the contrast value.

5) Using a PC with LifeStyle HD

The **Switching PC/CCTV button** is located at the left side of front controller. To use this button, connect a PC to the LifeStyle HD in advance.

□ Connecting a PC



To connect a PC with the LifeStyle HD, follow these steps below:

- (1) Turn the LifeStyle HD and the PC off.
- (2) DVI-D input port is located at rear side of the LifeStyle HD. Connect one end of DVI-D cable to the PC and other end to the DVI-D input port of LifeStyle HD.
- (3) Power on the PC. The image of PC will be displayed on the monitor screen of LifeStyle HD.
- (4) Afterwards, power on the LifeStyle HD. The image of LifeStyle HD will be displayed on the screen.

□ Switching the PC/CCTV

After connecting a PC with LifeStyle HD, you can switch between the screen of PC and CCTV.

- (1) In CCTV screen, press the **Switching PC/CCTV button**. It changes to the screen of PC.
- (2) In PC screen, press the **Switching PC/CCTV button** again, it changes to the screen of LifeStyle HD.

(Note) When you press the Switching PC/CCTV button while the PC is off, **[NO SIGNAL]** will be displayed on the screen. When **[NO SIGNAL]** shows up while the PC is on, reboot the PC.

6) Using the Markers

The Marker helps you to focus on the part that you are reading by narrowing the display area of window markers or by underling under the sentence that you are reading. In that way, it can improve your reading ability.



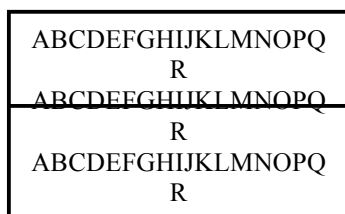
To execute the marker, press the **Marker button** which is located at the far-left-bottom side of the front controller.

□ Changing the Marker type

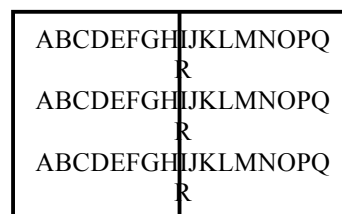
Pressing the **Marker button**, the Horizontal Line Marker will be displayed on the screen.

There are 4 kinds of markers.

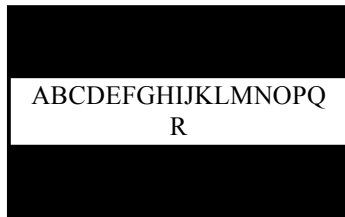
- Horizontal Line Marker



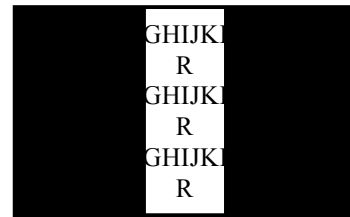
- Vertical Line Marker



- Horizontal Window Marker



- Vertical Window Marker



To cancel the marker option, press the Marker button again at the Vertical Window Marker mode.

□ Adjusting the location/width of Marker

You can adjust the location of line marker in Line marker modes. Or you can adjust the width of window marker in Window marker modes.

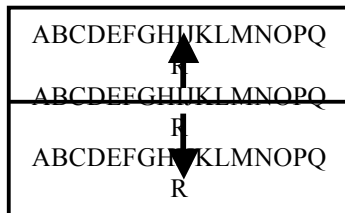
To adjust the location/width of markers, press the **Moving marker buttons**. **Moving marker buttons** are located right next to the Marker button. The left button is the **Left moving marker button**. The right button is the **Right moving marker button**.



How to adjust the Location/range as marker type is different.

- When the Line Marker mode is activated

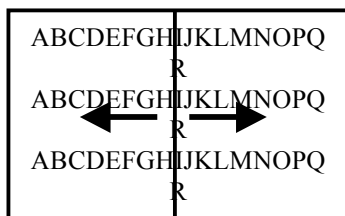
- **Horizontal Line Marker:**



Pressing the **Left moving marker button** moves it up.

Pressing the **Right moving marker button** moves it down.

- **Vertical Line Marker:**



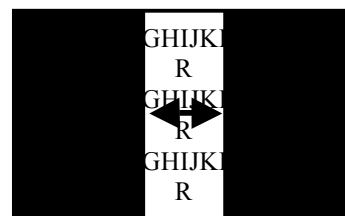
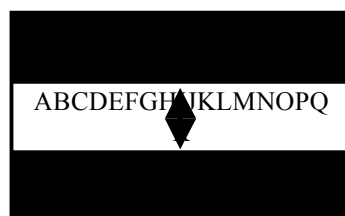
Pressing the **Left moving marker button** moves it to the left.

Pressing the **Right moving marker button** moves it to the right.

- When the Window Marker mode is activated

- **Horizontal/Vertical Window Marker:**

Pressing the **Left moving marker button**, the window gets wider.
Pressing the **Right moving marker button**, the window gets narrower.



8. Using the advanced feature

1) Selecting the various color modes

The LifeStyle HD provides 7 color modes. The color modes 1 to 3 are unchangeable but 4 to 7 are selectable.

1. Natural Color
2. White text on Black background
3. Black text on White background
4. Gray: **Selectable**
5. Yellow text on Black background : **Selectable**
6. Yellow text on Blue background : **Selectable**
7. Green text on Black background : **Selectable**

□ Changing the color mode

To change the color mode, please follow the steps below;

- (1) Choose any mode among color modes 4, 5, 6 or 7 above which you want to change the color by using the **Color mode buttons**.
- (2) Once you select the color mode, press both the **Previous color** and **Next color buttons** for more than 2 seconds.
- (3) [**MODE SETUP**] will show up and then [**SELECT COLOR**] will be displayed on the screen.
- (4) Move to the color mode that you want to change by pressing either the **Previous color** or **Next color buttons**. (Refer to the Color table)
- (5) Press both the **Previous** and **Next color buttons** at once. [**SAVE? YES**] will be displayed on the screen.

- (6) If you want to save the color combination you have chosen, press both the **Previous** and **Next color buttons** at once one more time. **[CONFIRM]** will be displayed on the screen and it is saved.
- (7) If you don't want to save, press the **Previous** or **Next color buttons**. **[SAVE? NO]** will be displayed on the screen.
- (8) Pressing both the **Previous** and **Next color buttons**, **[EXIT]** will be displayed on the screen and it is canceled.

□ Color table

The color of the text and background is displayed on the screen after executing the **[MODE SETUP]**.

The following description is how to check the color table.

- When you execute the **[MODE SETUP]** in the Yellow text on Black background;
 - If you press the **Next color button**, the Red text on White background will be displayed on the screen.
 - If you press the **Previous color button**, the Black text on Yellow background will be displayed on the screen.
- When you execute the **[MODE SETUP]** in the Green text on Black background;
 - If you press the **Next color button**, the Cyan text on black background will be displayed on the screen.
 - If you press the **Previous color button**, the Black text on Green background will be displayed on the screen.

Text	Background
-------------	-------------------

GRAY	
BLACK	RED
RED	BLACK
BLACK	GREEN
GREEN	BLACK
CYAN	BLACK
BLACK	CYAN
BLACK	MAGENTA
MAGENTA	BLACK
BLACK	YELLOW
YELLOW	BLACK
RED	WHITE
WHITE	RED
GREEN	WHITE
WHITE	GREEN
BLUE	WHITE
WHITE	BLUE
WHITE	CYAN
CYAN	WHITE
BLUE	YELLOW
YELLOW	BLUE
MAGENTA	WHITE
WHITE	MAGENTA
GREEN	RED
RED	GREEN
BLUE	RED
RED	BLUE
YELLOW	RED
RED	YELLOW

2) Switching PICTURE/TEXT Mode

The LifeStyle HD allows you to alternate between PICTURE and TEXT Mode.

The default value is PICTURE Mode. The PICTURE Mode is very convenient for users to see the photos or pictures on the books.

The TEXT Mode is convenient for reading letters as the gaps between characters are wide.

To switch the TEXT Mode, follow these steps below:

- (1) Press the **Switching PC/CCTV button** for more than 2 seconds.
- (2) It changes to TEXT mode.
- (3) In TEXT Mode, pressing the **Switching PC/CCTV button** for more than 2 seconds again, it changes to PICTURE mode.

3) Using the Focus Lock

The LifeStyle HD provides automatic focus. Not to make the LifeStyle HD focus on your hand or the pen instead of the letters when you are writing, use the Focus lock.

- (1) Press both the **Left and the Right moving marker button** for more than 2 seconds.
- (2) [**FOCUS LOCK**] will be displayed on the screen.
- (3) To cancel the Focus lock, press both the **Left and the Right moving marker button** at once again.
- (4) [**FOCUS AUTO**] will be displayed on the screen.

Also, when you reboot the LifeStyle HD, it returns to the Automatic focus.

4) Adjusting the transparency of Window Marker

In window marker mode, you can adjust the transparency.

To adjust the transparency of window marker, follow these steps below:

- (1) In window marker mode, press the **Marker button** for more 2 seconds.
- (2) [**WINDOW OPACITY 100**] will be displayed on the screen.
- (3) Press the **Left moving marker button** to decrease the value.
Press the **Right moving marker button** to increase the value.
- (4) Once you select the value of transparency, press the **Marker button**.
- (5) [**SAVE? YES**] will be displayed on the screen.
- (6) If you want to save the value you prefer, press the **Marker button**.
[**CONFIRM**] will be displayed and it is saved.
- (7) If you don't want to save, press the **Left or Right moving marker button**. [**SAVE? NO**] will be displayed on the screen.
- (8) Press the **Marker button**. [**EXIT**] will be displayed and it is canceled.

5) Initialization

You can initialize the LifeStyle HD owing to the user's fault or malfunction.

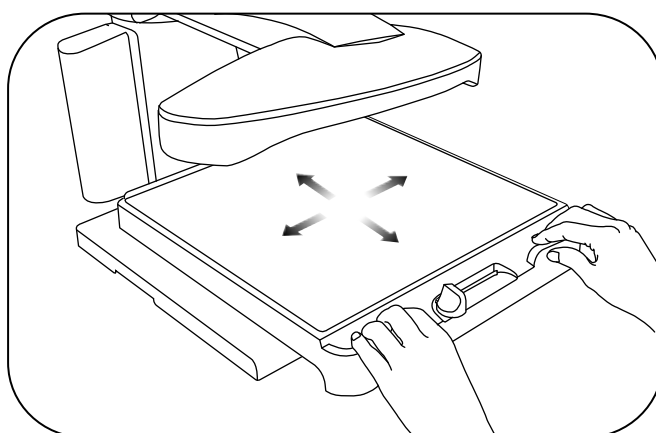
- (1) Turn the LifeStyle HD on by pressing the **Power button** while pressing the **Switching PC/CCTV button**.
- (2) Release the **Switching PC/CCTV button** when [**INITIALIZATION**] shows up with a beep sound. The LifeStyle HD will reboot and return to factory defaults.
- (3) Turn the LifeStyle HD off and turn it back on, the initialization will be completed.

9. Using the Reading table

When you want to magnify the object that does not display on the screen at once, use the Reading table.

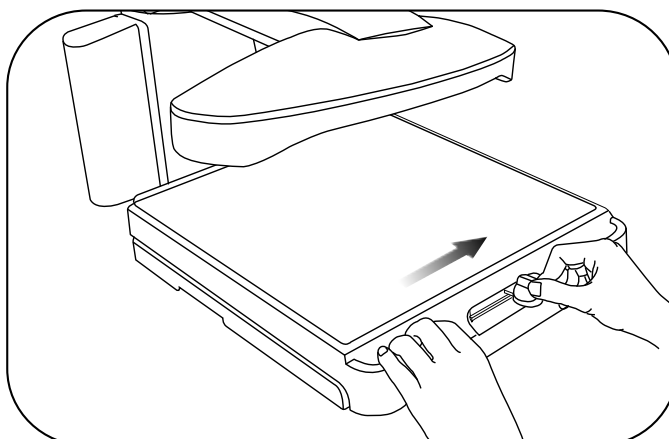
1) Moving the Reading table

The Reading table moves to the left-right and up-down when you hold the handles of the Reading table.



2) Lock/Unlock the Reading table

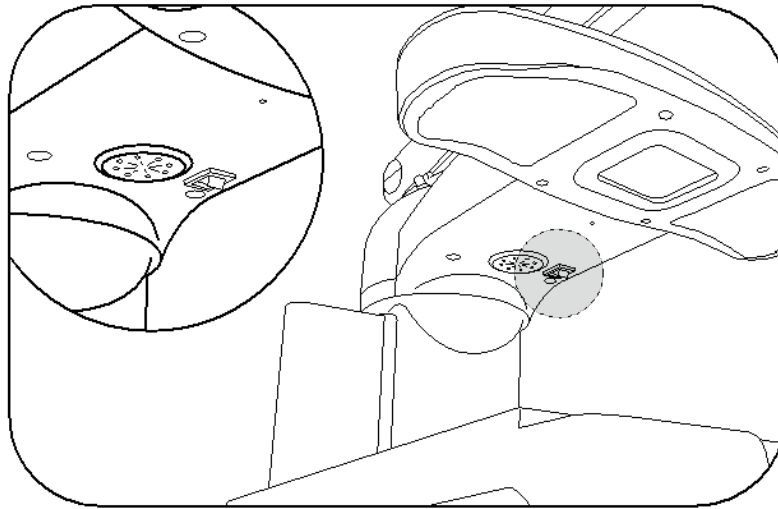
The **Reading table locker** at the front of the Reading table allows you to fix the Reading table. To lock the Reading table, move the **Reading table locker** all the way to the right. To unlock the Reading table, move the **Reading table locker** to the left.



10. Light on/off

When you turn on the LifeStyle HD, the light is on. Turn off the light, when you view the reflexible objects or the light is too light.

The **Light switch** is under the Camera module.



11. Troubleshooting

1) The image on the screen is not clear

- In Focus Lock mode, it doesn't focus automatically. Switch to the Focus Auto by pressing the **Switching PC/CCTV button**.
- Adjust the contrast by using the **Contrast adjustment knob**.

2) Cannot execute the mode setup in color mode

- Check the current color mode. Only in mode 4 to 7, you can select the different color mode.
- Check the Marker. You cannot execute the mode setup while using the Marker.

12. Technical Specifications of the LifeStyle HD

Model	HD730
Magnification	2.7X ~ 84X (19" monitor) 3.1X ~ 95X (22" monitor) 3.4X ~ 105X (24" monitor)
Power	100~240V~, 50/60Hz. 2A, 65W
Size	19" monitor: 48cm(H) x 44cm(W) x 51cm(D) 22" monitor: 52cm(H) x 52cm(W) x 52cm(D) 24" monitor: 54cm(H) x 57cm(W) x 53cm(D)
Basic Color Mode	1. Natural Color 2. White text on Black background 3. Black text on White background 4. Gray Selectable 5. Yellow text on Black background Selectable 6. Yellow text on Blue background Selectable 7. Green text on Black background Selectable
Select Color in Mode Setup	- 15 kinds of select color in Mode Setup Gray, Black/Red, Black/Green, Black/Cyan, Black/Magenta, Black/Yellow, Red/White, Green/White, Blue/White, Cyan/White, Magenta/White, Blue/Yellow, Green/Red, Blue/Red, Yellow/Red - Support Negative Mode for each color mode except Gray
Weight	16.5 Kg (19" monitor) 17.2 Kg (22" monitor) 18.0 Kg (24" monitor)
Output Resolution	High Definition(HD)

(NOTE) This user manual will be differed from actual operation due to improved function of products and it is subject to change and modified without prior notice.

13. Warranty

- 1) Warranty term is 2 years from your purchasing.
- 2) Warranty does not cover the problem due to the user's fault.

(Note) The warranty term will be different from each country.

An FCC warning

NOTE: This equipment has been tested and found to comply with the limits for a Class B digital device, pursuant to part 15 of the FCC Rules. These limits are designed to provide reasonable protection against harmful interference in a residential installation.

This equipment generates, uses and can radiate radio frequency energy and, if not installed and used in accordance with the instructions, may cause harmful interference to radio communications. However, there is no guarantee that interference will not occur in a particular installation. If this equipment does cause harmful interference to radio or television reception, which can be determined by turning the equipment off and on, the user is encouraged to try to correct the interference by one or more of the following measures:

- Reorient or relocate the receiving antenna.
- Increase the separation between the equipment and receiver.
- Connect the equipment into an outlet on a circuit different from that to which the receiver is connected.
- Consult the dealer or an experienced radio/TV technician for help.

CAUTION: Changes or modifications not expressly approved by the manufacturer responsible for compliance could void the user's authority to operate the equipment.